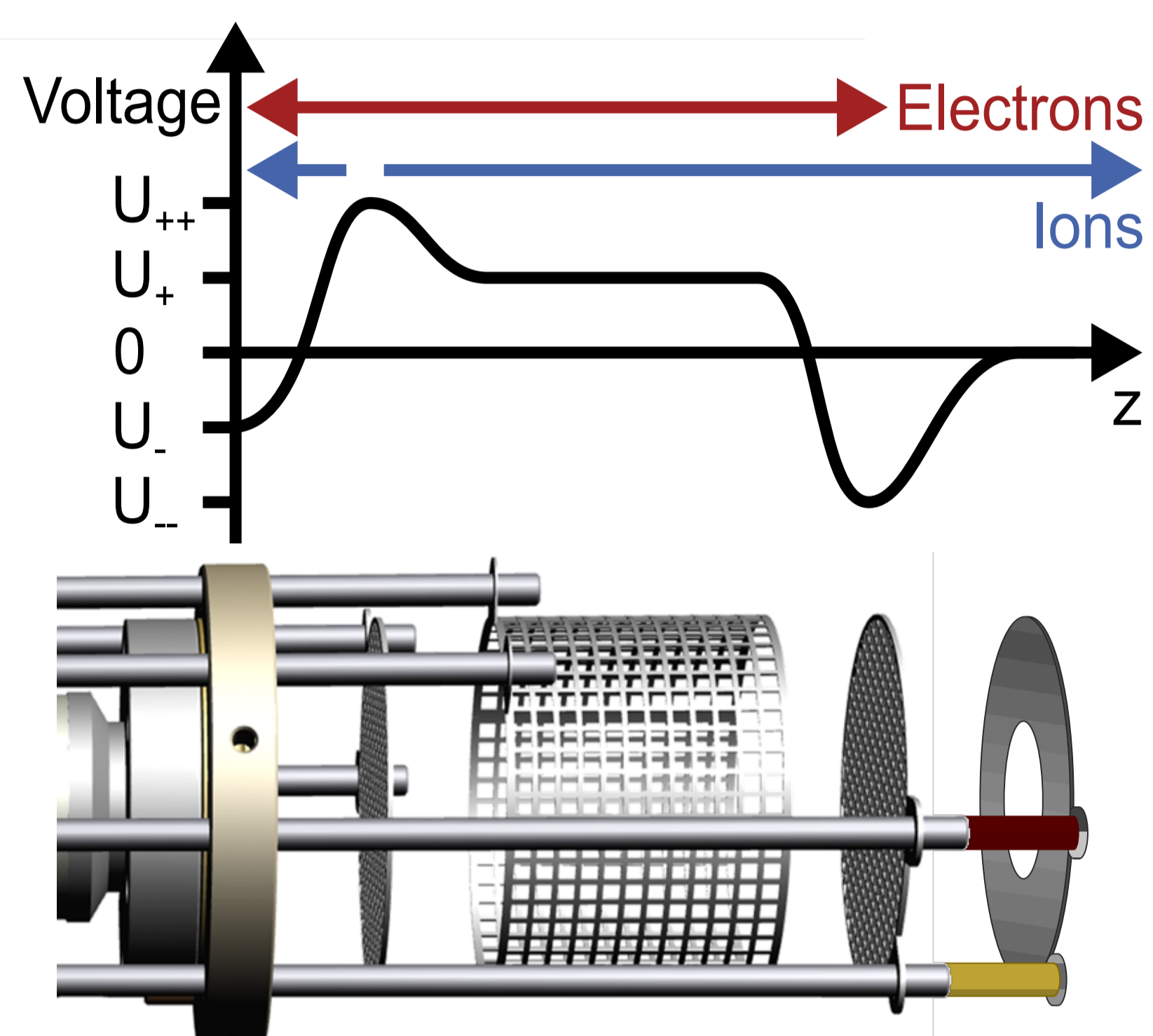
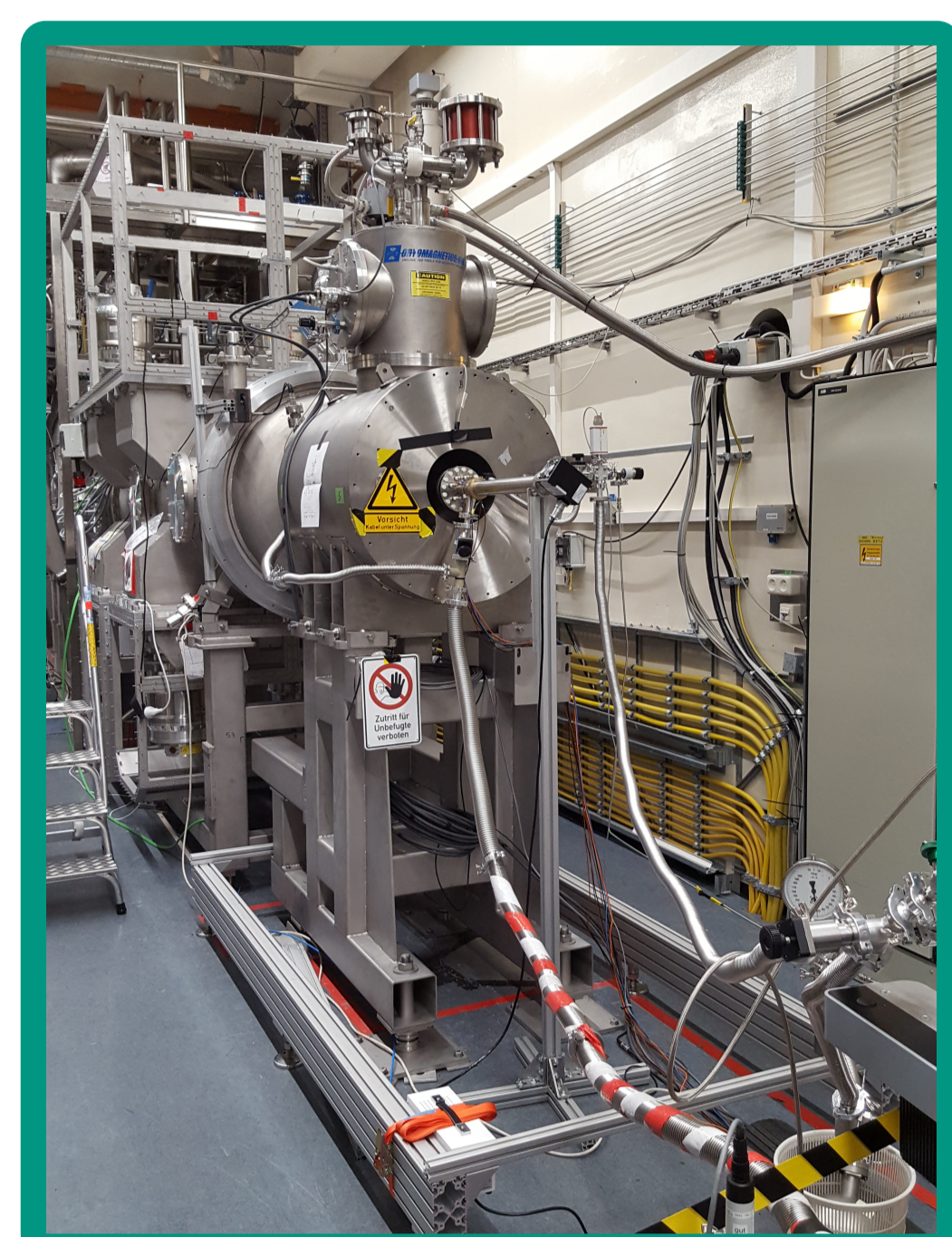
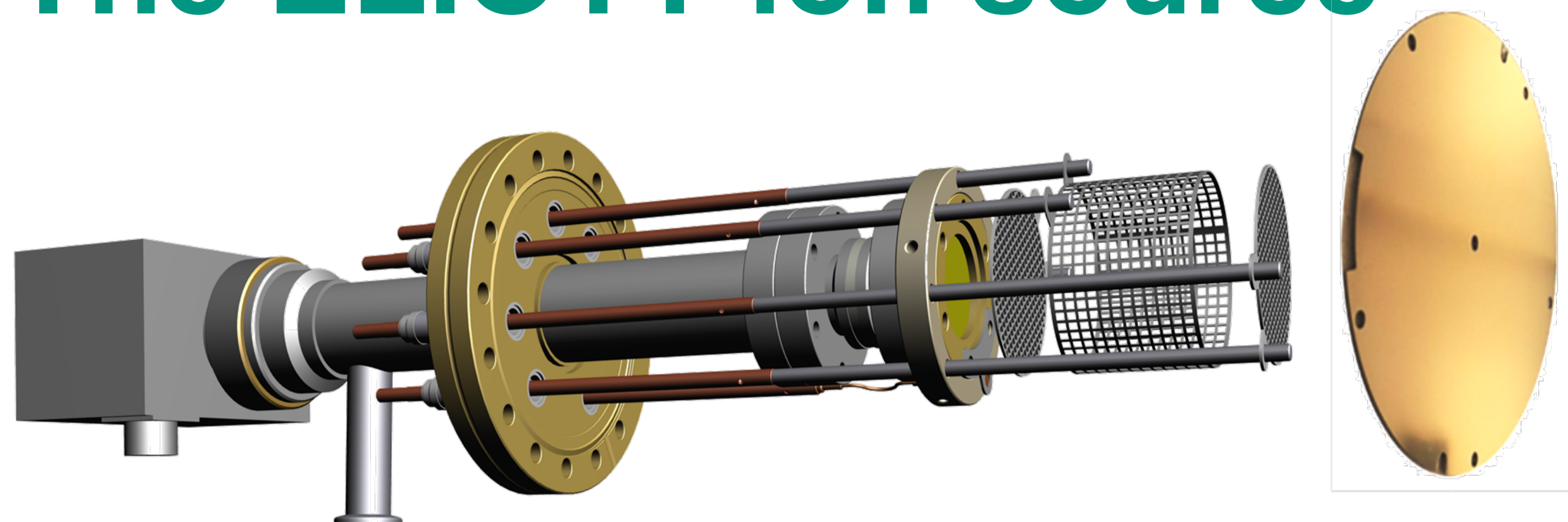
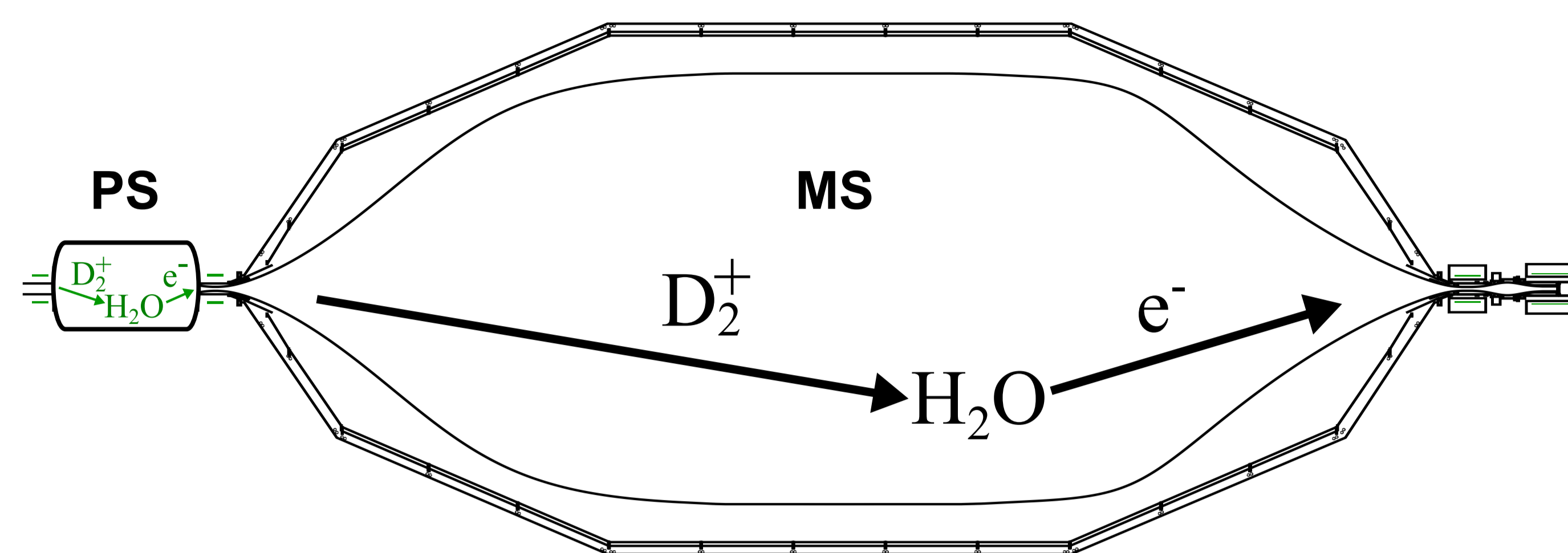


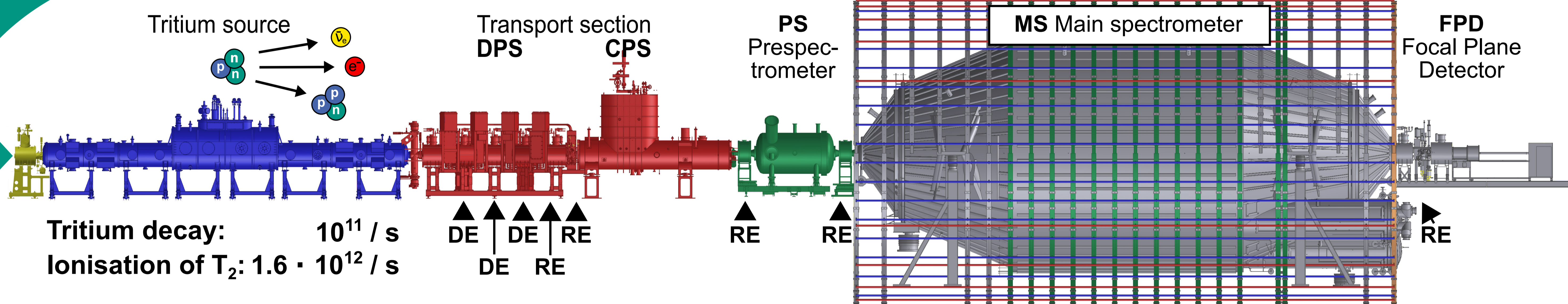
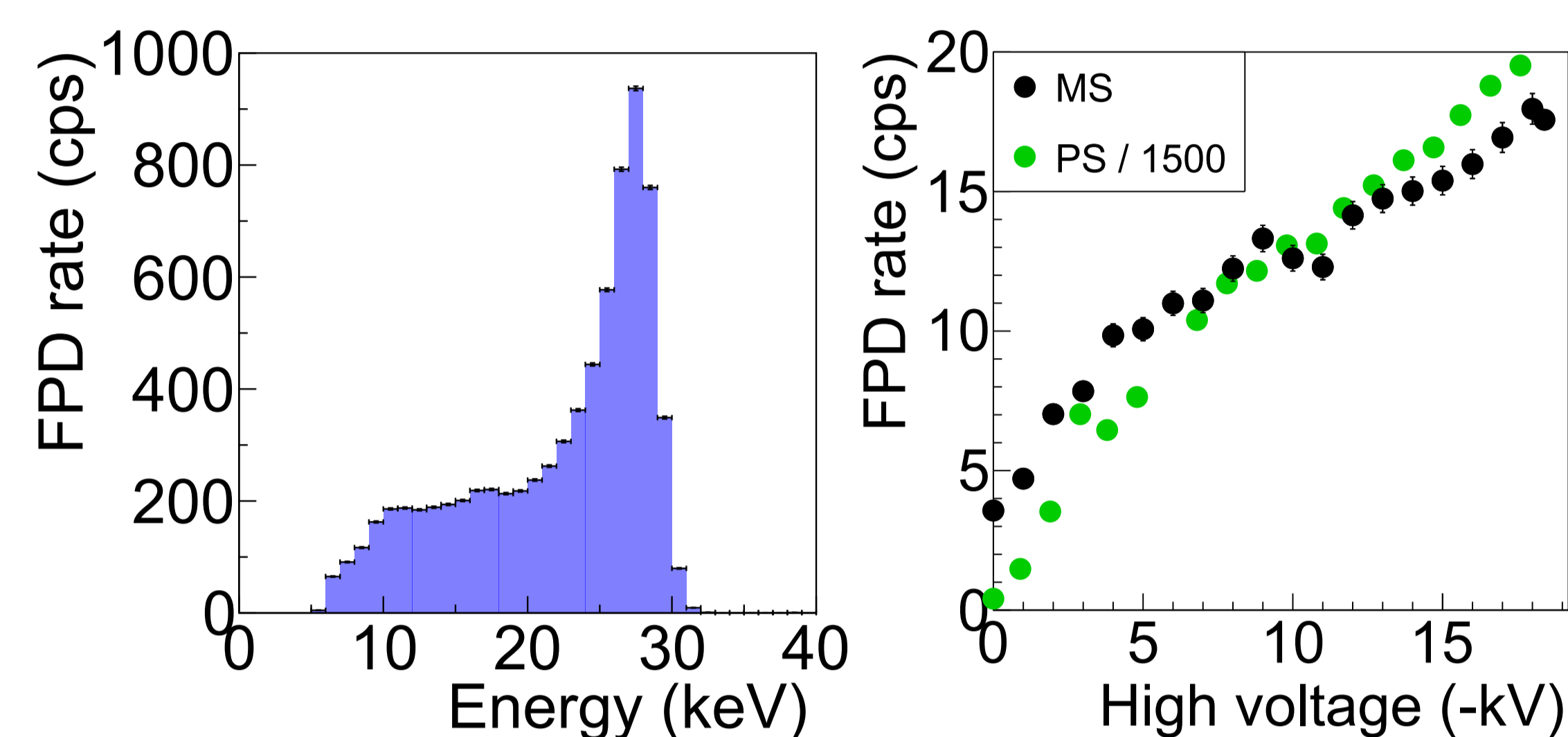
The ELIOTT ion source



Ion detection (D_2^+ , D_3^+)

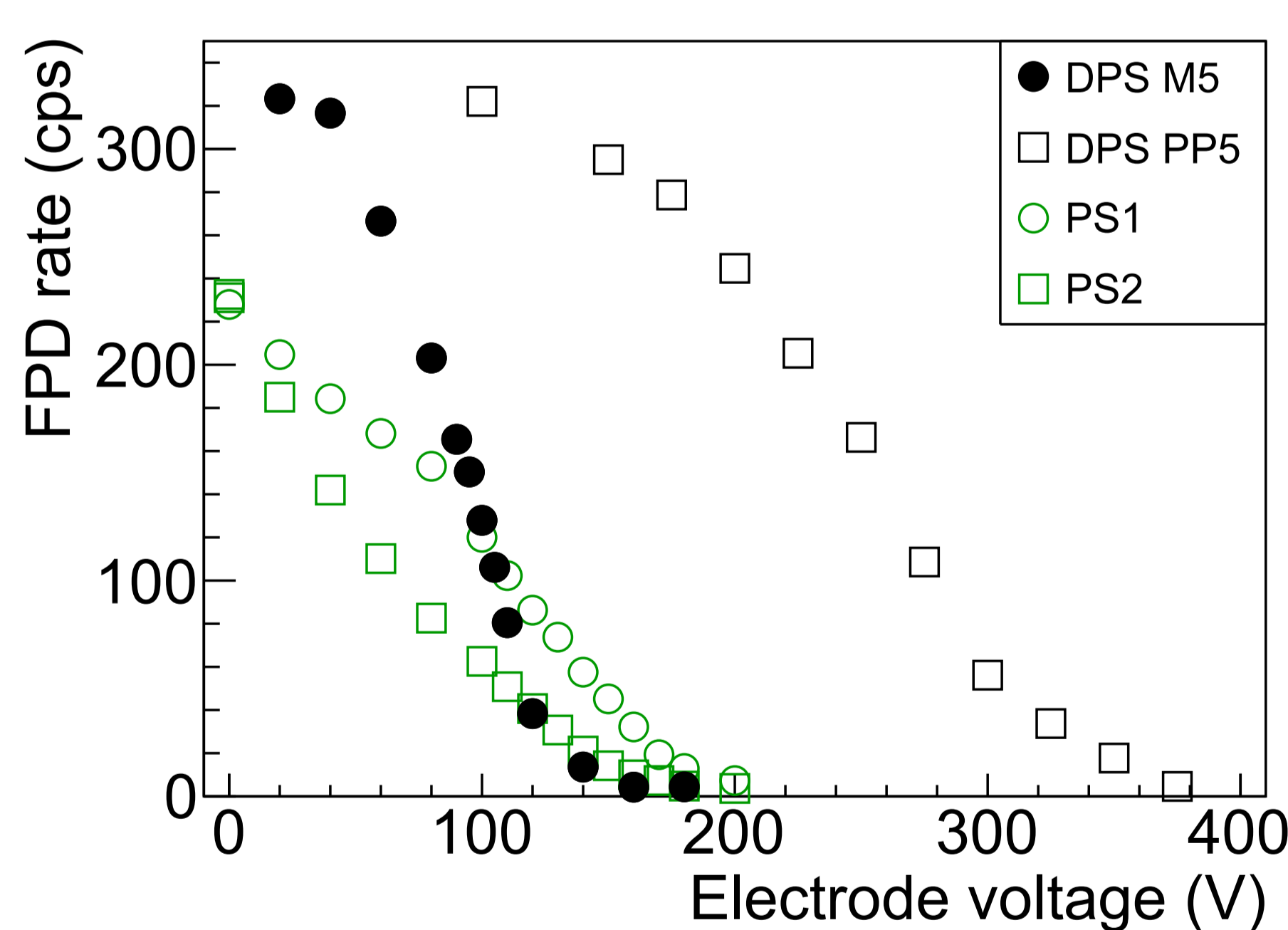


10^{-4} counts / ion in MS at 18.6 kV, $3 \cdot 10^{-9}$ mbar H_2O

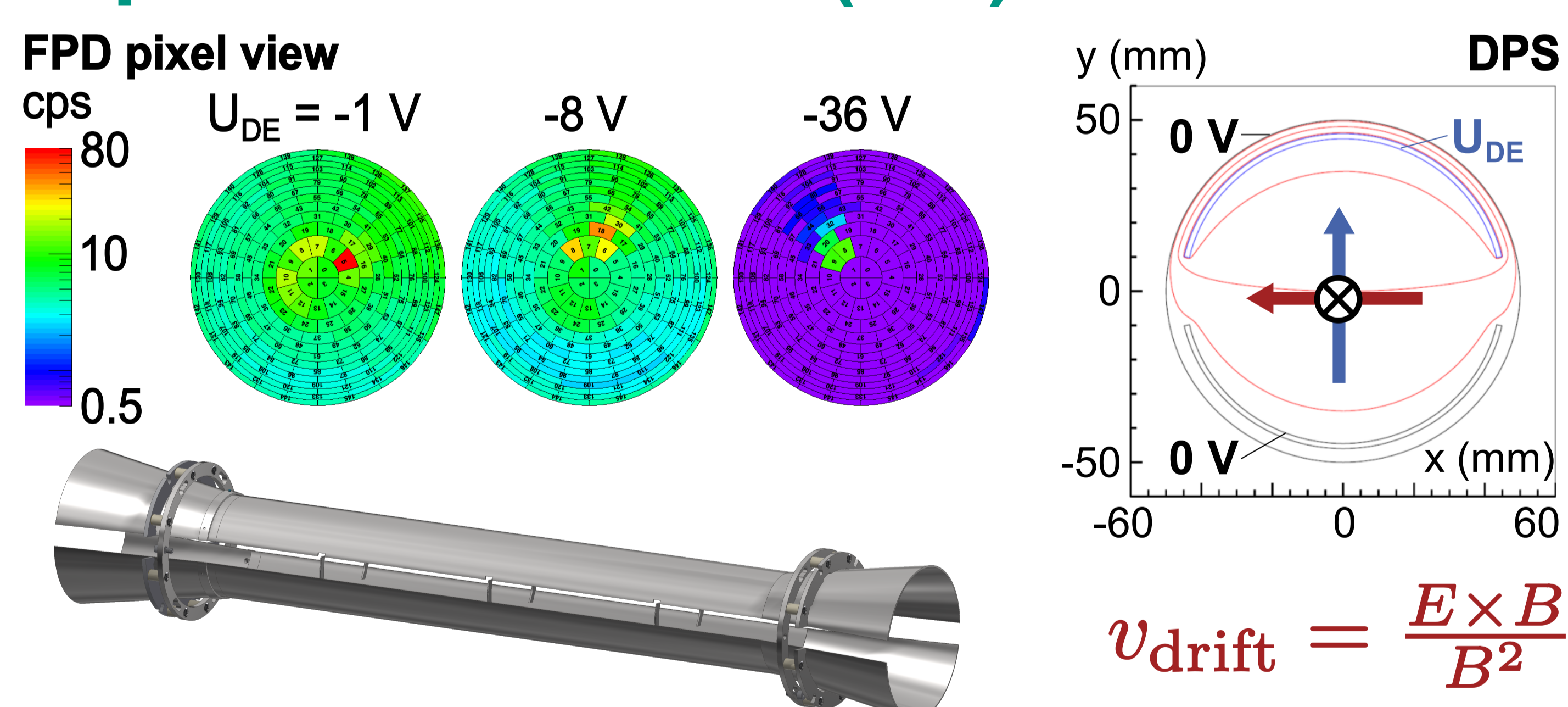


Tritium decay: 10^{11} / s
Ionisation of T_2 : $1.6 \cdot 10^{12}$ / s

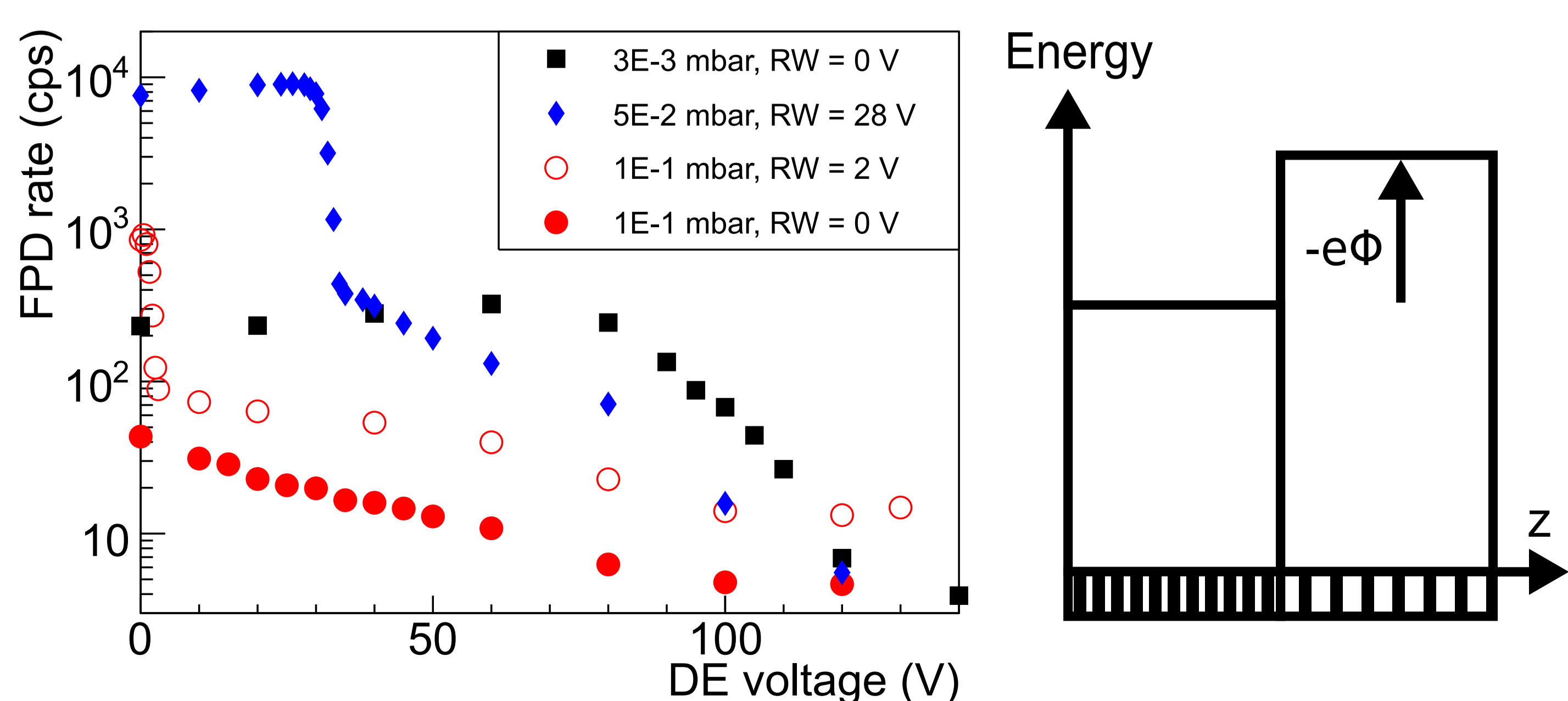
Ion blocking Ring electrodes (RE)



Ion removal Dipole electrodes (DE)



Workfunctions along the beamline



Prespectrometer (PS)

