

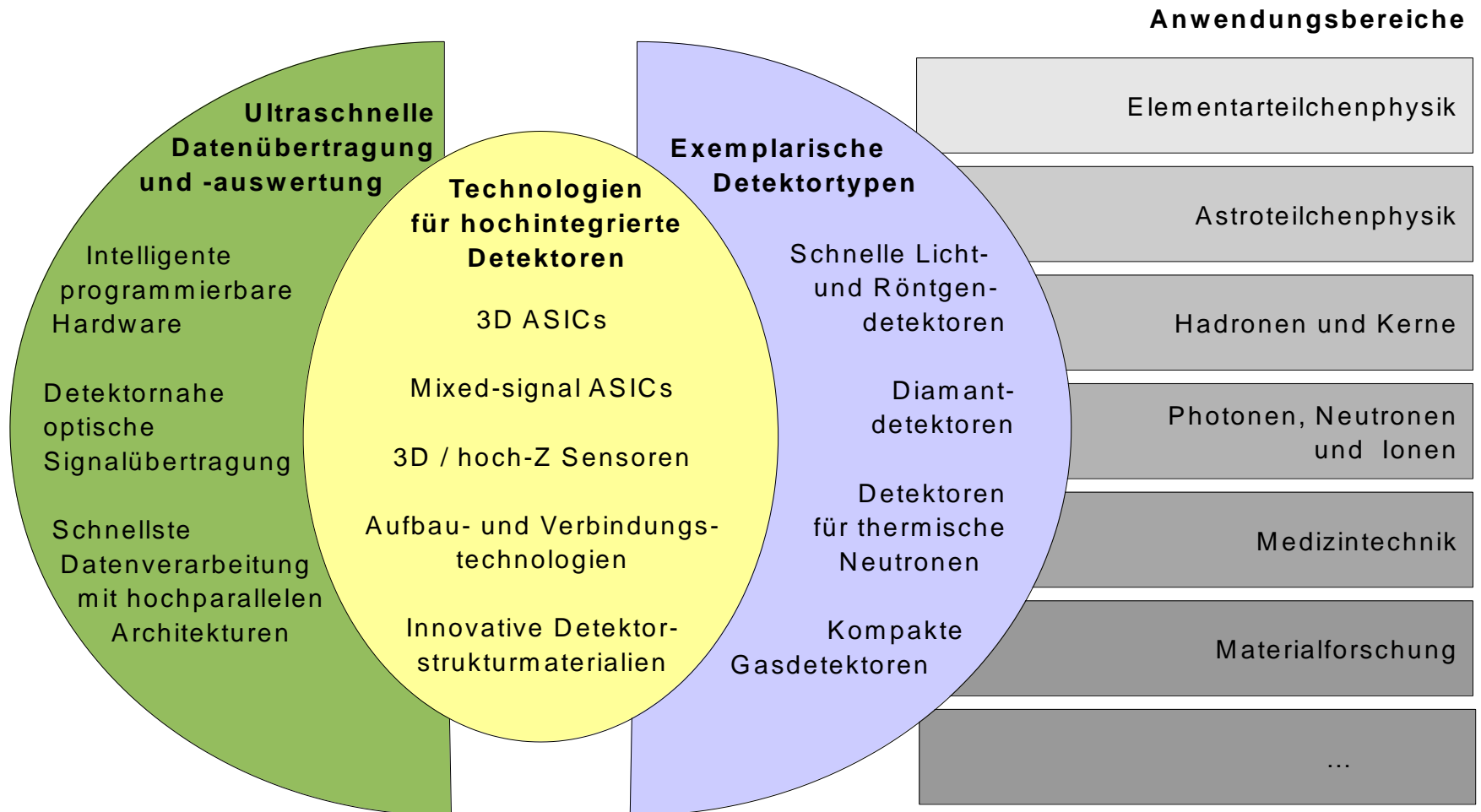
# Detektor Technologie und System Plattform

## Pillar 1: Technologies for highly Integrated Detectors

**Heinz Graafsma**

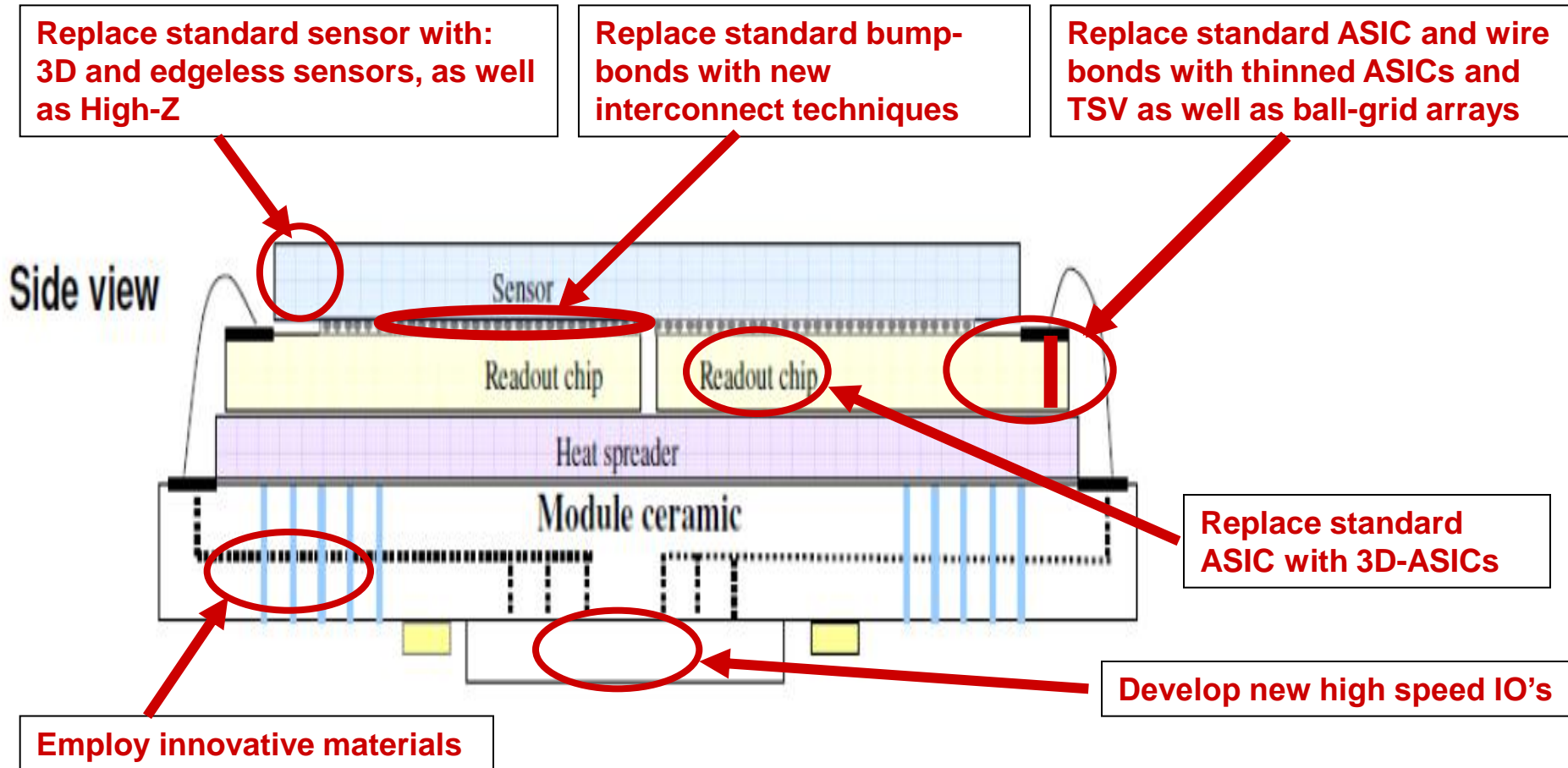
**Kick-off meeting Feb 2012.**

# Structure

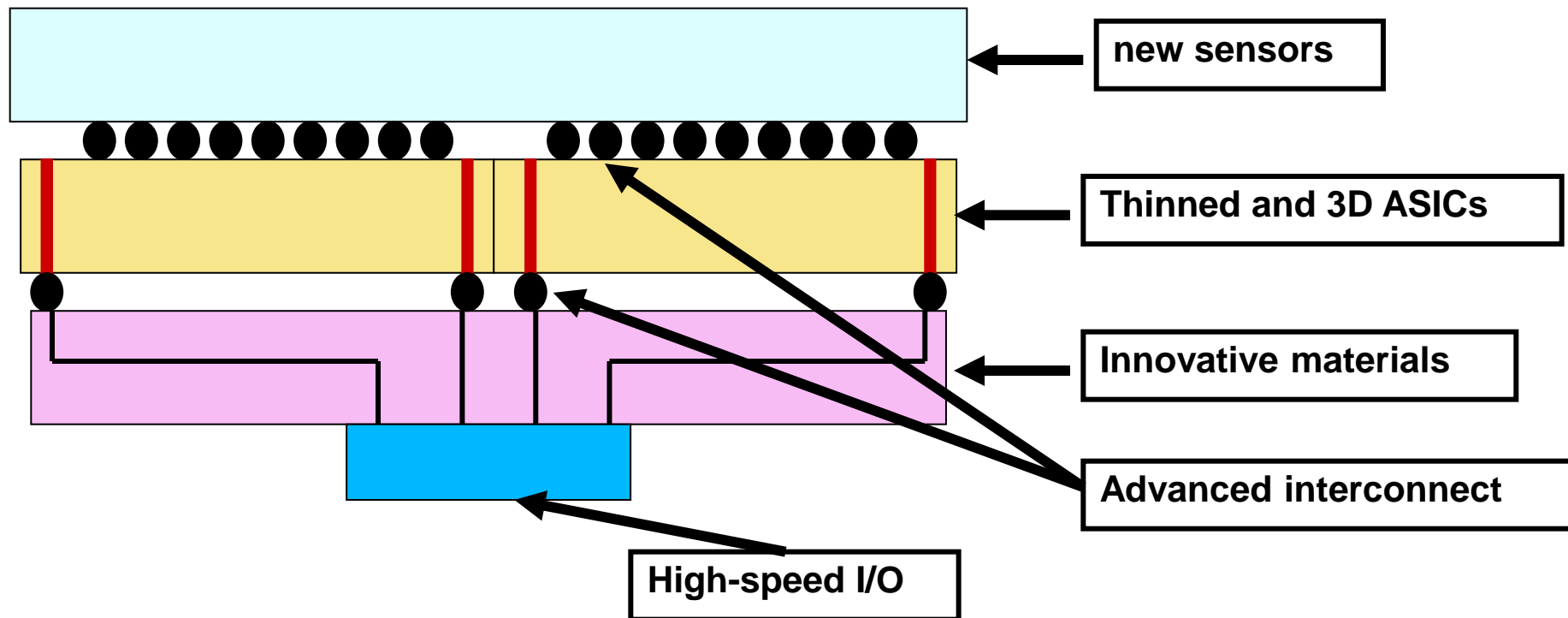


# 1. Säule: The “Helmholtz-Cube”

## Vertically Integrated Detector Technology



# 1. Säule: The “Helmholtz-Cube”



# Pillar 1 Goals

1. Develop technologies
2. Make technologies available to HGF centers
3. Current focus on Hybrid Pixel Array Detectors
4. Future extension to other technologies: MAPs, Sol, ...



### 3.1 3D-ASICs: WP-Leader: H. Graafsma (*DESY*)

- Beteiligte Zentren: DESY, GSI, KIT
- Externe Partner: Fraunhoferinstitute IZM, Universität Bonn, CERN, NIKHEF (Niederlande), VTT (Finnland), FNAL (USA)

1st Step:

**Make inventory of know-how and experience +  
Share information, designs and tools.**



## 3.2 Mixed-signal ASICs: WP-Leader: C. J. Schmidt (GSI)

- Beteiligte Zentren: DESY, FZJ, GSI, HIJ, KIT
- Externe Partner: Universität Heidelberg mit dem ASIC-Labor des KIP und ZITI, IPHC Strasbourg, AGH Krakow, Europractice, STFC Technology

## Inventory of possible common technologies and libraries.

**Maybe: Develop a “simple” chip for technology developments (e.g. TSV)?**



### 3.3 3D/ Hoch-Z Sensoren: WP-Leader: M. Fiederle (KIT)

- Beteiligte Zentren: DESY, KIT
- Externe Partner: Freiburger Materialforschungszentrum der Universität Freiburg, STFC Technology

**CdTe sensors possible in 15 months (how many?)**

**Edgeless and 3D silicon on going at various places → needs an inventory of know-how**





## 3.4 Aufbau- und Verbindungstechnologien: WP-Leader: T. Blank (KIT)

> Beteiligte Zentren: DESY, FZJ, GSI, KIT

**Inventory of existing and missing technologies  
planned as first step.**



### **3.5 Innovative Detektorstrukturmaterialien: WP-Leader: A. Mussgiller (DESY)**

**> Beteiligte Zentren: DESY, FZJ, GSI, HIM**

**Various options, including diamond, exists.  
Needs a meeting between interested partners**



**Decided to have a one day (lunch-to-lunch?) meeting with all partners and WP-leaders at DESY in Spring (May?) in order to decide on concrete actions and deliverables.**

